

SEAT & FRAMING PLAN

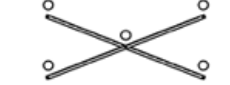
1/4" = 1'-0"
15 NET SEATS @ 18" PER SEAT



- 1) LOCATE THE CHANNEL END CAP AS SHOWN IN FIG. 1.
- 2) TAP END CAP INTO PLACE WITH RUBBER Mallet OR SOFT WOOD. FIG.2
- 3) DRILL TWO 5/32" HOLES THROUGH THE BOTTOM FLANGE AND THE BOTTOM OUTSIDE PLANK FLANGES. INSTALL TWO 3/16" DRIVE RIVETS. (2 PER PLANK)

END CAP DETAIL

N.T.S.



X-BRACE DETAIL

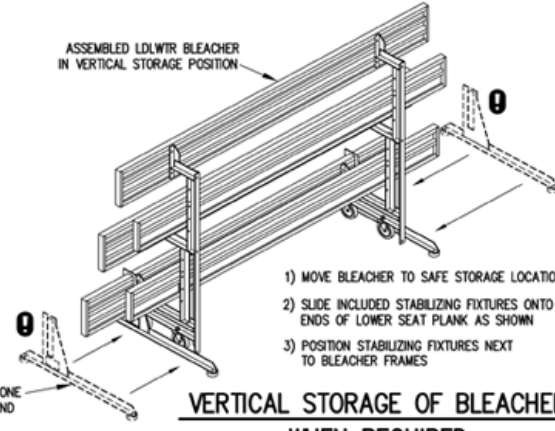
N.T.S.

7/16" x 1" GALV. MACH. BOLT



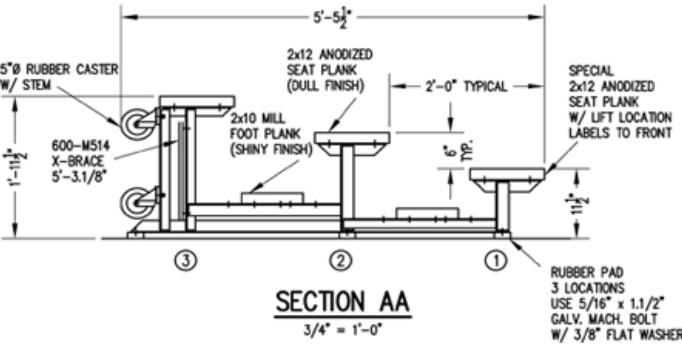
MANDATORY STABILIZING FIXTURE

3/4" = 1'-0"



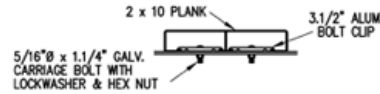
- 1) MOVE BLEACHER TO SAFE STORAGE LOCATION
- 2) SLIDE INCLUDED STABILIZING FIXTURES ONTO ENDS OF LOWER SEAT PLANK AS SHOWN
- 3) POSITION STABILIZING FIXTURES NEXT TO BLEACHER FRAMES

VERTICAL STORAGE OF BLEACHER WHEN REQUIRED



SECTION AA

3/4" = 1'-0"



BOLT CLIP DETAIL

1.1/2" = 1'-0"

TIP & ROLL 7.5L