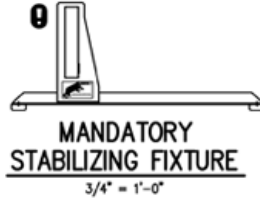
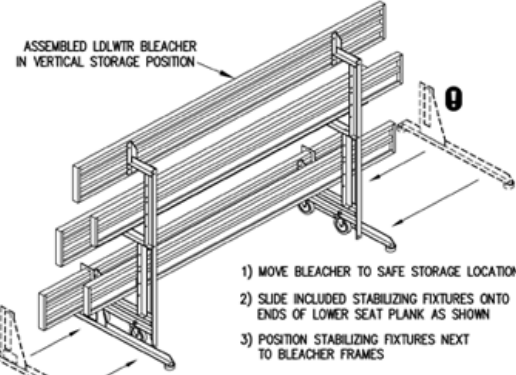


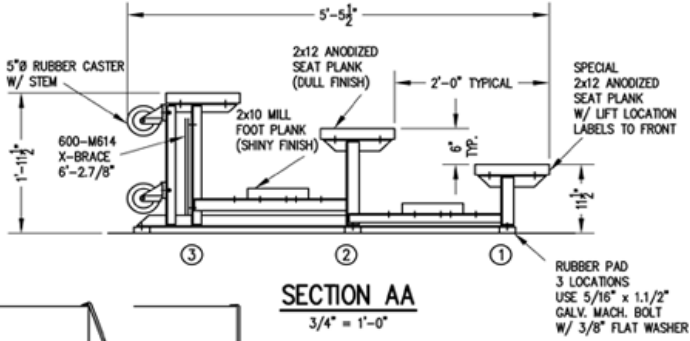
X-BRACE DETAIL

N.T.S.

- 7/16" X 1" GALV. MACH. BOLT
- △ 7/16" X 1.1/2" GALV. MACH. BOLT



STABILIZING FIXTURE - ONE REQUIRED FOR EACH END OF BLEACHER



RUBBER PAD
 3 LOCATIONS
 USE 5/16" X 1.1/2"
 GALV. MACH. BOLT
 W/ 3/8" FLAT WASHER

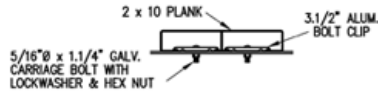


FIG. 1 FIG. 2

- 1) LOCATE THE CHANNEL END CAP AS SHOWN IN FIG. 1.
- 2) TAP END CAP INTO PLACE WITH RUBBER Mallet OR SOFT WOOD. FIG. 2
- 3) DRILL TWO 5/32" HOLES THROUGH THE BOTTOM FLANGE AND THE BOTTOM OUTSIDE PLANK FLANGES. INSTALL TWO 3/16" DRIVE RIVETS. (2 PER PLANK)

END CAP DETAIL

N.T.S.



TIP & ROLL 27L