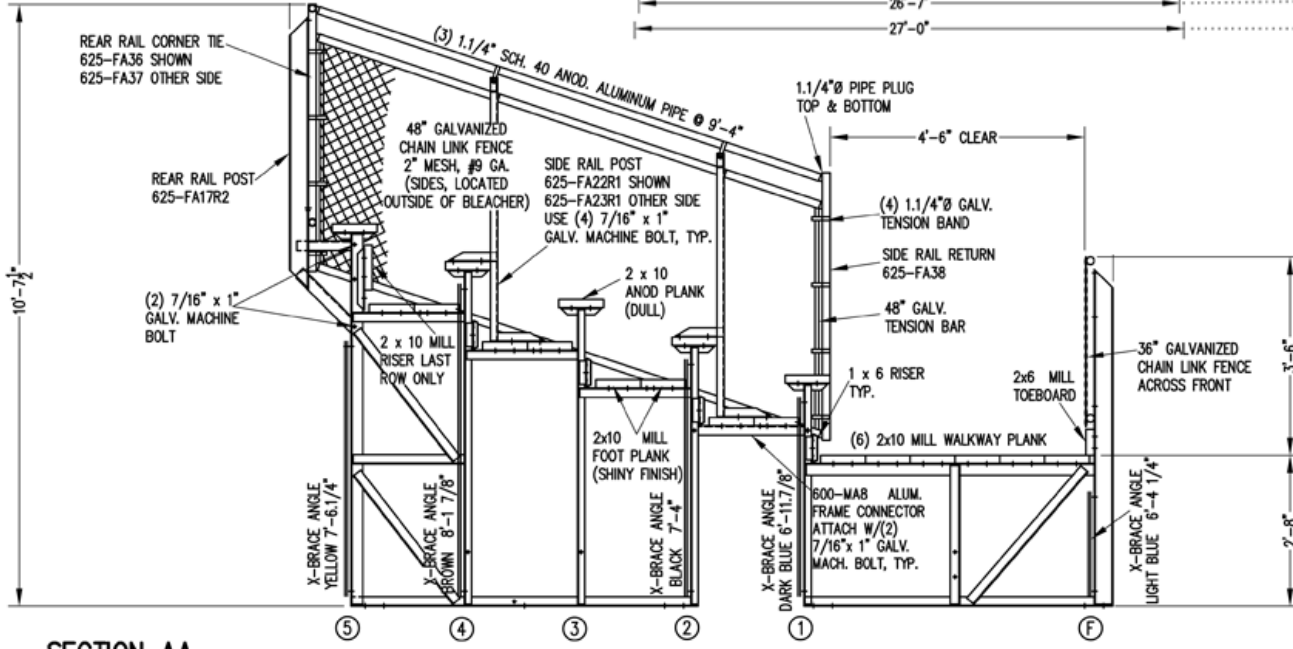
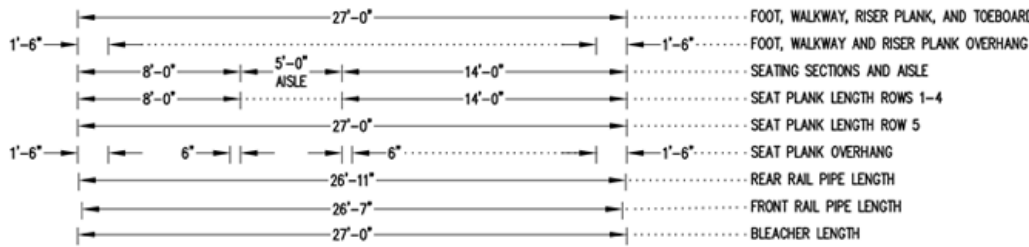


SEATING PLAN

3/16" = 1'-0"
74 NET SEATS @ 18" PER SEAT

48" GALVANIZED CHAIN LINK FENCE
2" MESH, #9 GA.
(REAR, LOCATED INSIDE OF BLEACHER)



SECTION AA

1/2" = 1'-0"

14'-6 1/2"

ELEVATED 27L (5 ROW)