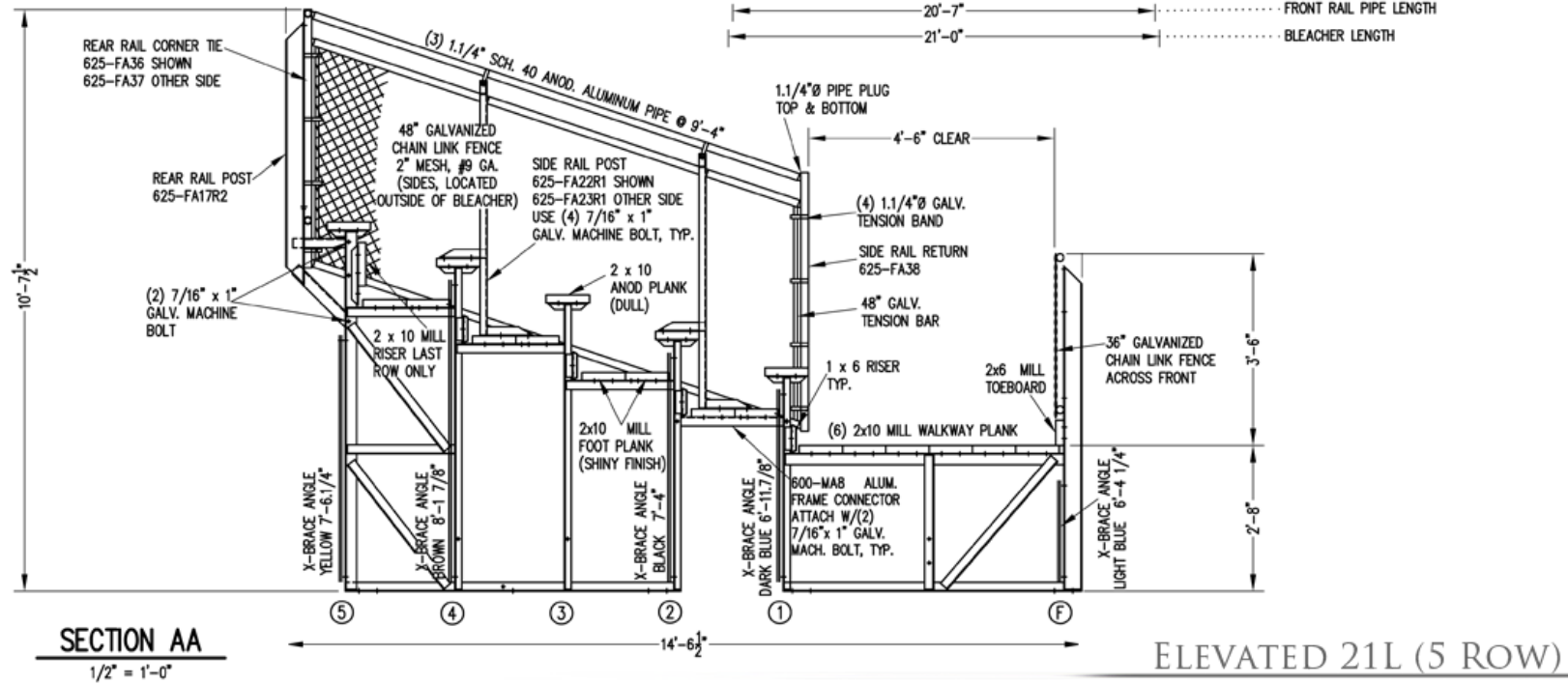
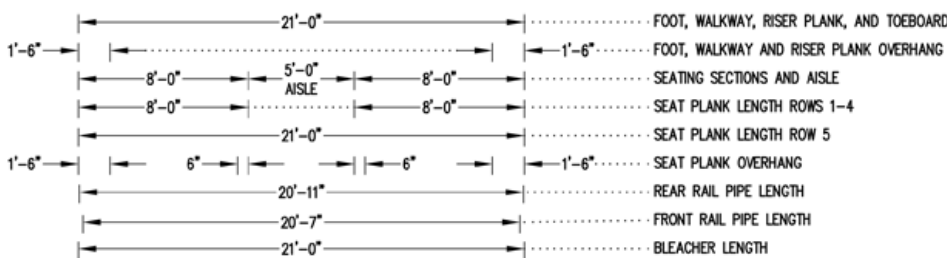


SEATING PLAN

3/16" = 1'-0"
54 NET SEATS @ 18" PER SEAT

48" GALVANIZED
CHAIN LINK FENCE
2" MESH, #9 GA.
(REAR, LOCATED
INSIDE OF BLEACHER)



ELEVATED 21L (5 ROW)